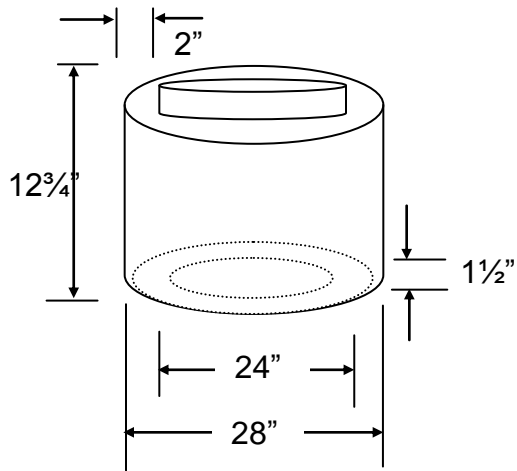


Dosing Siphon Shop Drawing

With 3' Riser and Inspection Lid

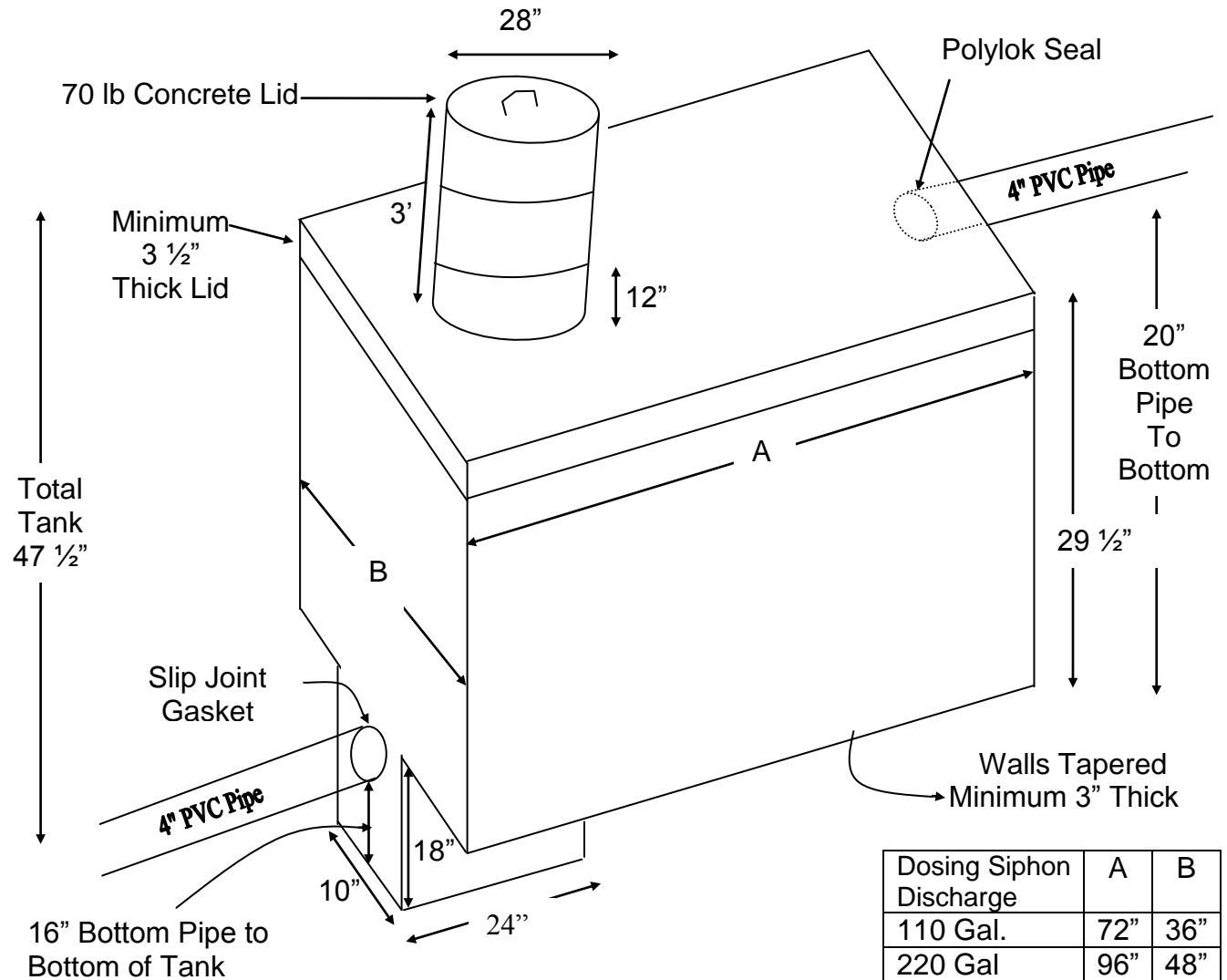
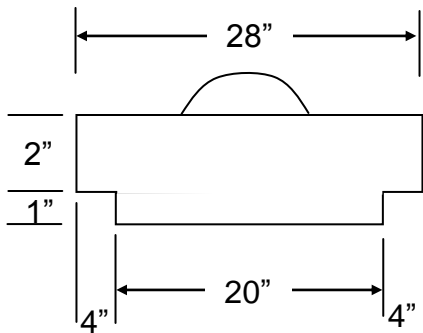
Concrete Tile Detail

(side view)



Concrete Lid Detail

(side view)



Dosing Siphon Discharge	A	B
110 Gal.	72"	36"
220 Gal	96"	48"
283 Gal	96"	60"